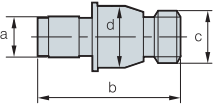
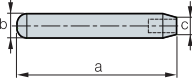
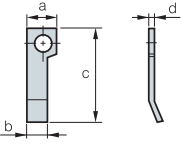
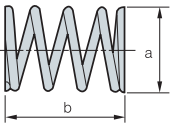
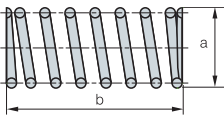


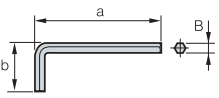
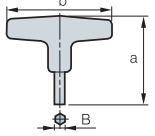
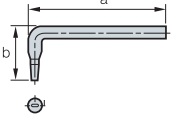
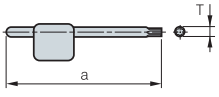
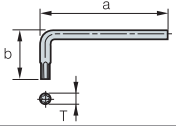
Shim pin

Geometry	Designation	Dimensions			
		a	b	c	d
	SP3D	3.7	13.1	UNF10-32	5.6
	SP3D2	3.6	12	UNF10-32	5.5
	SP3DS	3.7	11.54	UNF10-32	5.6
	SP4D	4.97	17.19	UNF1/4 28	7.12
	SP4DL	5	17.1	UNF1/4 28	7
	SP4DS	4.97	13.26	UNF1/4 28	
	SP5D	6.21	21.9	UNF5/16-24	9.44
	SP6D	7.75	21.9	UNF3/8-24	11.02
SP8D	9.02	29.63	UNF7/16-20	14.21	
	LSPS3	60	8.2	5.55	
	LSPS4	65	10	7	
	LSPS5	69	11.4	8.85	
	LSPS6	69	13	11	
	LSPS8	73	16.5	15.2	

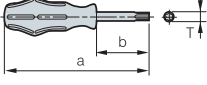
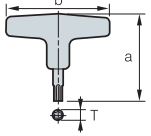
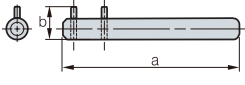
Spring

Geometry	Designation	Dimensions			
		a	b	c	d
	SR2	4.0	2.8	12.6	0.4
	SPR0315	3.0	15		
	SPR0415	4.0	15		
	SR3	9.2	12.5		
	SR4	4.0	11.0		
	SPR0714	7	14		
	SPR0510	5	10		
	SPR0714	7	14		
	SPR0811	8	11		

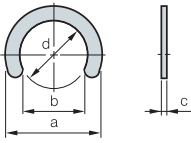
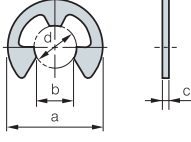
Wrench

Geometry	Designation	Dimensions		
		a	b	B(T)
	HW20L	52	18	2
	HW25L	58.5	20.5	2.5
	HW30L	66	23	3
	HW35L	72	25	3.5
	HW40L	74	29	4
	HW50L	85	33	5
	HW40	82	80	4
	HW50	96	90	5
	SW50L	70	27.5	
	TW06P	63	6	
	TW07P	63	7	
	TW08P	71	8	
	TW09P	75	9	
	TW10P	78	10	
	TW15P	82	15	
	TW20P	86	20	
	TW15L	60	21	15
	TW20L	60	21	20

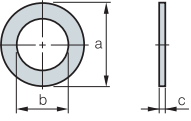
Wrench

Geometry	Designation	Dimensions		
		a	b	B(T)
	TW07S	140	60	7
	TW08S	150	76	8
	TW09S	165	70	9
	TW15S	190	90	15
	TW20S	195	91	20
	TW20	75	80	20
	TW25	74	80	25
	TW15-100	127	80	15
	TW20-100	127	80	20
	SW15S	150	13	

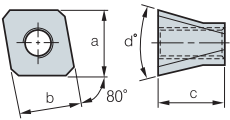
Stop ring

Geometry	Designation	Dimensions			
		a	b	c	d
	CR03	4.8	2.6	0.4	3.0
	CR04	6.6	3.6	0.4	4.0
	CR05	7.6	4.6	0.4	5.0
	ER03	7.0	2.6	0.6	3.0
	ER04	9.0	3.5	0.6	4.0
	ER05	11	4.3	0.6	5.0

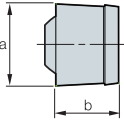
Washer

Geometry	Designation	Dimensions		
		a	b	c
	WA3	11.0	6.8	0.5-1.0
	WA4	10.0	5.3	0.5-1.0

Stopper

Geometry	Designation	Dimensions			
		a	b	c	d°
	STP5	11	10.2	11	30°

Nozzle

Geometry	Designation	Dimensions	
		a	b
	CN0605	6	4.6