

SYSTEM DED

Einstecken mit dreischneidigen Wendeplatten

grooving with three-cutting edges indexable inserts

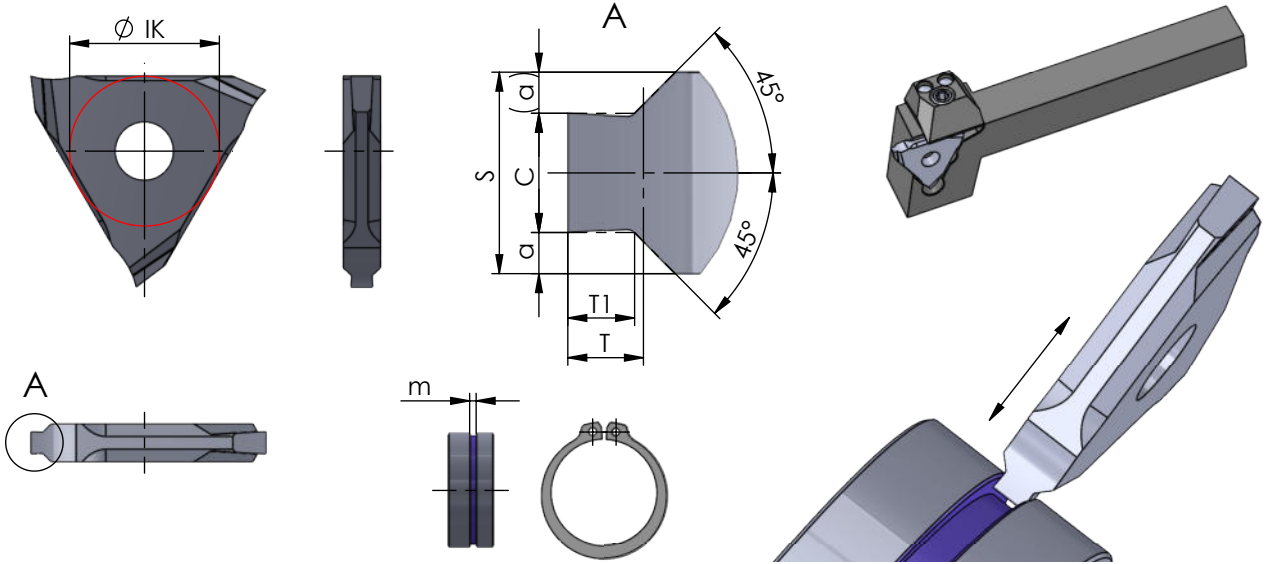
Typ Stechdrehen

Wendeschneidplatte, für Sicherungsringe DIN 471 / 472 mit Nutaußenkantenfasung

indexable insert, for circlips DIN 471 / 472 with chamfer

Stechbreite C 1.24 - 5.29 mm

width of groove C 1.24 - 5.29 mm



Wendeschneidplatten sind in rechten und linken Klemmhaltern sowie Bohrstängen verwendbar

inserts can be used in RH and LH toolholders as well as in boring bars

Abmessungen in mm

dimensions in mm

| Bestellnummer part number | Nut-Maß m groove dim. m DIN 471 / DIN 472 | C -0.05 | S | a | T1 -0.05 | T | Ø IK | K10F | CN45F | AL41F | P07C | Klemmhalter Typ toolholder type |
|------------------------------|---|---------|------|-----|----------|------|------|------|-------|-------|------|--|
| | | | | | | | | | | | | |
| DED.1101.25 | 1.1 | ☺ | 1.24 | 2.5 | 0.64 | 0.19 | 0.20 | 13.2 | ● | ● | ● | R/L .207.2-D R/L .0.738.2-D R/L .0.780.2-D R/L .0.660.2-D |
| DED.1102.25 | 1.1 | ☺ | 1.24 | 2.5 | 0.64 | 0.24 | 0.25 | 13.2 | ● | ● | ● | |
| DED.1103.25 | 1.1 | ☺ | 1.24 | 2.5 | 0.64 | 0.29 | 0.30 | 13.2 | ● | ● | ● | |
| DED.1104.25 | 1.1 | ☺ | 1.24 | 2.5 | 0.64 | 0.33 | 0.35 | 13.2 | ● | ● | ● | |
| DED.1105.25 | 1.1 | ☺ | 1.24 | 2.5 | 0.64 | 0.36 | 0.40 | 13.2 | ● | ● | ● | |
| DED.1306.25 | 1.3 | ☺ | 1.44 | 2.5 | 0.54 | 0.45 | 0.55 | 13.2 | ● | ● | ● | |
| DED.1607.33 | 1.6 | ☺ | 1.74 | 3.3 | 0.79 | 0.60 | 0.70 | 13.2 | ● | ● | ● | R/L .207.3-D R/L .0.738.3-D R/L .0.780.3-D R/L .0.660.3-D |
| DED.1608.33 | 1.6 | ☺ | 1.74 | 3.3 | 0.79 | 0.75 | 0.85 | 13.2 | ● | ● | ● | |
| DED.1609.33 | 1.6 | ☺ | 1.74 | 3.3 | 0.79 | 0.85 | 1.00 | 13.2 | ● | ● | ● | |
| DED.1810.33 | 1.85 | ☺ | 1.99 | 3.3 | 0.67 | 0.85 | 1.00 | 13.2 | ● | ● | ● | |
| DED.1812.33 | 1.85 | ☺ | 1.99 | 3.3 | 0.67 | 1.10 | 1.25 | 13.2 | ● | ● | ● | |
| ↳ ... | | | | | | | | | | | | |

Weitere HM Sorten können Sie in der Sortenübersicht im Kapitel "Technische Hinweise" und der Preisliste finden.

Bestellbeispiel:
für Sorte AL41F:
DED.1101.25/AL41F

More carbide grades you can find in the grades summary in the chapter "technical instructions" and in the price list.

order-example:
grade AL41F:
DED.1101.25/AL41F